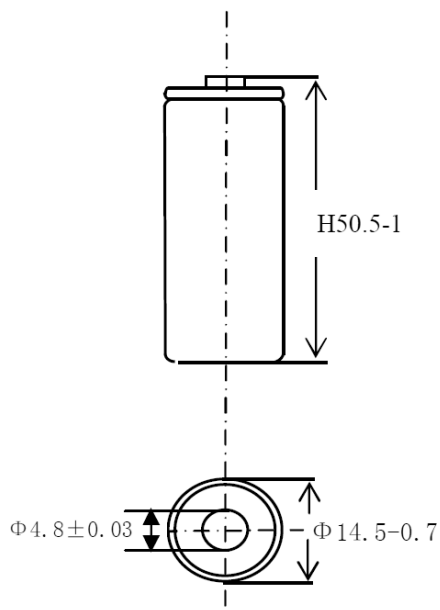




'Pro Alkaline' High Performance Battery LR6 AA



Designation IEC:	LR6
Nominal voltage:	1.5V
Designed capacity:	3000 mAh (discharge with high resistance)
Shelf life:	10 years
Weight:	23.2 g
Dimensions (max):	50.5 x 14.5 mm
Temperature ranges:	long-term storage: 10..25°C application/discharge: -20..60°C
Approved standards:	GB/T 8897.2, GB 8897.5, GB8897.5, IEC 60086-1, IEC 60086-2, IEC 60086-3, IEC 60086- 5

Typical service output (new battery, at 22°C):

Load	Conditions	End Voltage	Time
43Ω	4 h/d	0.9V	93 h
24Ω	15 s/m, 8 h/d	1.0V	48 h 30 min.
3.9Ω	1 h/d	0.8V	8 h 30 min.
3.9Ω	24 h/d	0.9V	6 h 50 min.