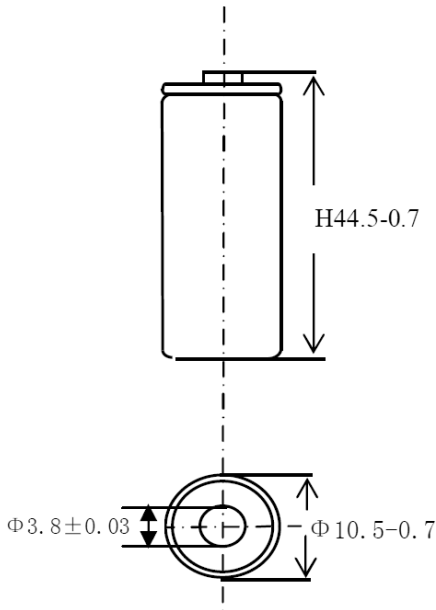




## 'Pro Alkaline' High Performance Battery LR03 AAA



<b>Designation IEC:</b>	LR03
<b>Nominal voltage:</b>	1.5 V
<b>Designed capacity:</b>	1300 mAh (discharge with high resistance)
<b>Shelf life:</b>	10 years
<b>Weight:</b>	11.2 g
<b>Dimensions (max):</b>	44.5 x 10.5 mm
<b>Temperature ranges:</b>	long-term storage: 10..25°C application/discharge: -20..60°C
<b>Approved standards:</b>	GB/T 8897.2, GB 8897.5, GB8897.5, IEC 60086-1, IEC 60086-2, IEC 60086-3, IEC 60086- 5

### Typical service output (new battery, at 22°C):

Load	Conditions	End Voltage	Time
75Ω	4 h/d	0.9V	76 h
24Ω	15 s/m, 8 h/d	1.0V	21 h
5.1Ω	1 h/d	0.8V	4 h 45 min.
3.9Ω	24 h/d	0.9V	2 h 45 min.