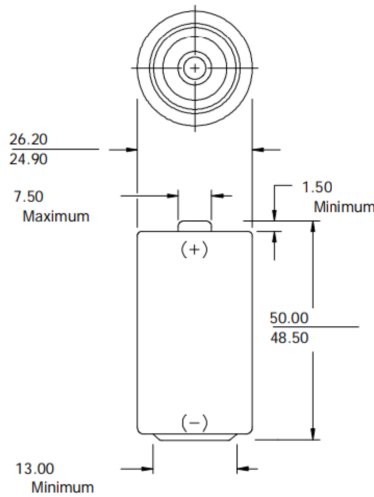




## 'Pro Alkaline' High Performance Battery LR14 1.5V



<b>Designation IEC:</b>	LR14
<b>Nominal voltage:</b>	1.5 V
<b>Designed capacity:</b>	8000 mAh (discharge with high resistance)
<b>Shelf life:</b>	10 years
<b>Weight:</b>	66 g
<b>Dimensions (max):</b>	26.2 x 50 mm
<b>Temperature ranges:</b>	long-term storage: -10..35°C application/discharge: -10..40°C
<b>Approved standards:</b>	GB 8897.2, GB 8897.5, GB/T 8897.1/IEC 60086-1/IEC 60086-2/ IEC 60086-3

### Typical service output (initial discharge, new battery, at 25°C):

Load	Conditions	End Voltage	Time
3.9 Ω	1 h/d	0.8V	25 h
400 mA	2 h/d	0.9V	12h