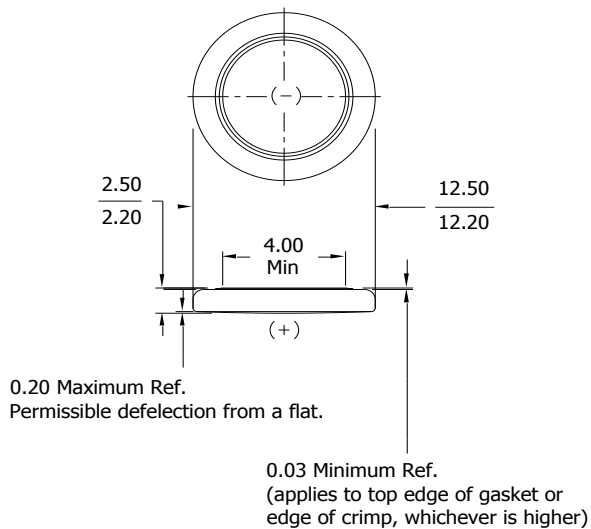


ENERGIZER NO. BR1225

LITHIUM COIN



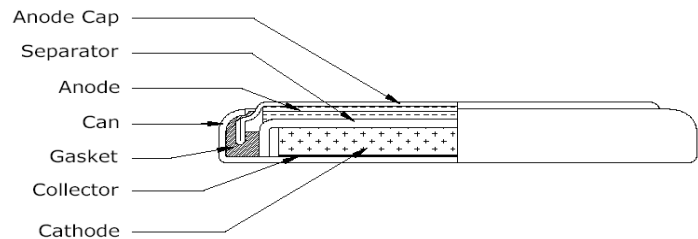
Industry Standard Dimensions
(mm)



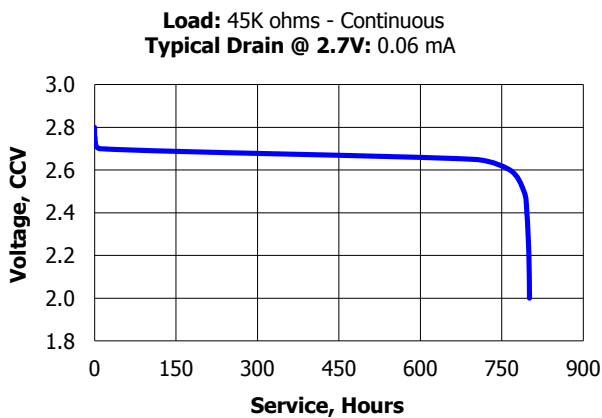
Specifications

Classification: "Lithium Coin"
Chemical System: Lithium / Poly-Carbon Monofluoride (Li/CFx)
Designation: IEC-BR1225
Nominal Voltage: 3.0 Volts
Typical Capacity: 48 mAh (to 2.0 volts)
 (Rated at 45K ohms at 21°C)
 0.8 grams
Typical Weight: 0.3 cubic centimeters
Typical Volume: 1 microampere
Max Rev Charge: 174 milliwatt hr/g, 432 milliwatt hr/cc
Energy Density:

Cross Section



Typical Discharge Characteristics



Simulated Application test

Typical Performance at 21°C (70°F)

Schedule:	Typical Drains: at 2.7V (mA)	Load (ohms)	Cutoff 2.0V (hours)
Continuous	0.06	45,000	800

Important Notice

This datasheet contains typical information specific to products manufactured at the time of its publication.
 ©Energizer Holdings, Inc. - Contents herein do not constitute a warranty.