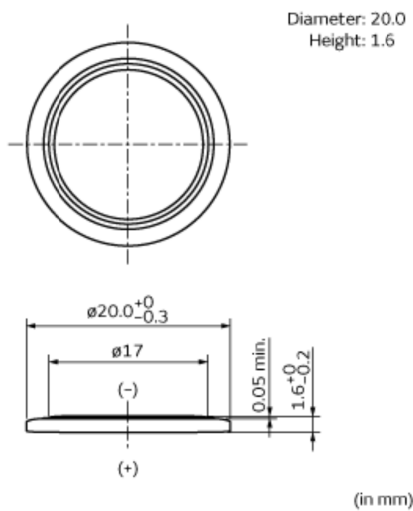




## Lithium Battery CR 2016 Data-Sheet

applicable for the cells manufactured from Jan 2018



<b>Designation IEC:</b>	CR2016
<b>Nominal voltage:</b>	3V
<b>Designed capacity:</b>	85 mAh
<b>Typical capacity:</b>	80 mAh (load 30kΩ down to 2V at 25°C)
<b>Weight:</b>	1.75 g
<b>Dimensions:</b>	20 x 1.6 mm
<b>Temperature ranges:</b>	long-term storage: 0..35°C application/discharge: -20..60°C

Typical service output (initial discharge, new battery, at 25°C):

Load	Conditions	End Voltage	Time
30kΩ	24 h/d	2.0V	800 h