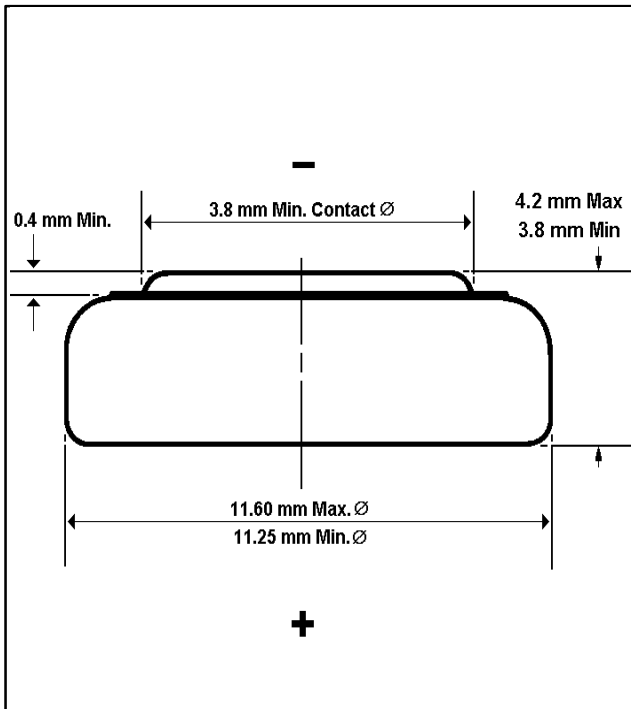


## Alkaline Manganese Dioxide Battery



### SPECIFICATIONS

<b>Minimum No Load Voltage:</b>	1.5 V
<b>Minimum On Load Voltage:</b>	1.2V on 50Ohms at 300

<b>Minimum Life</b>	320 H 6.8k Ohms Hr/Day 1.2 V
---------------------	------------------------------

<b>Rated Capacity</b>	105 mAh on 6.8kOhms to .8V
-----------------------	----------------------------

<b>Volume</b>	.44 cm <sup>3</sup>
---------------	---------------------

<b>Weight</b>	1.5g
---------------	------

Physical Size in mm	Max	Min
Height/Length	3.8	4.2
Width/Diameter	11.6	11.25
Depth		

### Typical Discharge Characteristics

