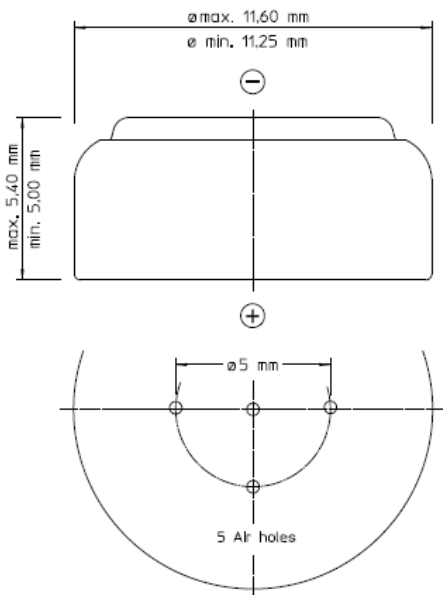


Data sheet p 675 – Implant Plus MF



Specifications:

Chemical system:	Zinc / Air
Type number:	24602
Nominal voltage:	1,42 V
Rated capacity*:	570mAh*
Rated energy*:	620mWh*
Impedance:	4 Ω @ 1kHz
Weight:	approx 1,80 g
Volume:	approx 0,55 ccm
Storage:	10 - 30° C / 20 - 80 % r.h.
Operating:	0 - 45° C / 25 - 70 % r.h.
Short exposition:	-10 - +65° C / 5 - 95 % r.h.

*Specified for Cochlear Implant

IEC High Power Test @ 21° C / 60%r.h.

according to IEC 60086-2 Dec. 2006 (11th Edition)

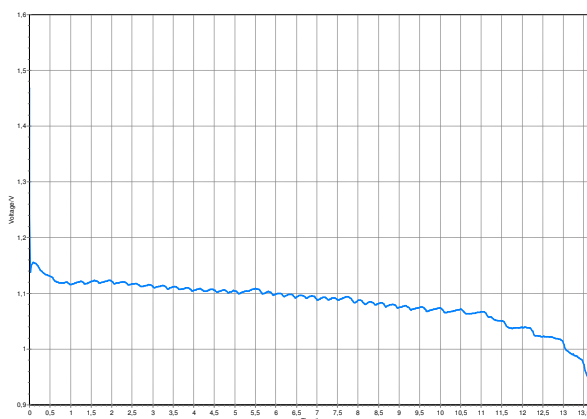
Dimensions:

According IEC 60086-2 Dec. 2006 (11th Edition)

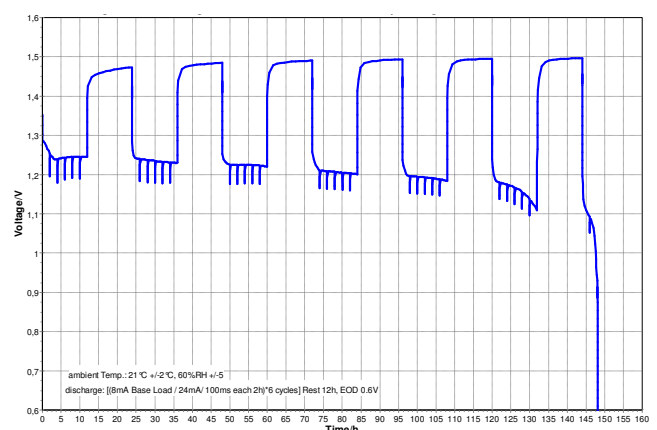
IEC: PR44

Typical discharge characteristics at 21° C / 60% r.h.:

High-Power discharge test @ cont. 30mW
ambient Temp.:21° C +/-, 60%RH +/-5



IEC High-Power discharge test
ambient Temp.:21° C +/-, 60%RH +/-5



VARTA Microbattery GmbH
Daimlerstraße 1
D 73479 Ellwangen
Tel.: +49 7961 921 0
www.varta-microbattery.com

This data is subject to change without prior notice. Performance information is typical. Contact VARTA for latest information. August 2010